



User manual juice dispensers



more juice

User manual juice dispensers

Placing container

3

Removing container

6

Daily cleaning

8

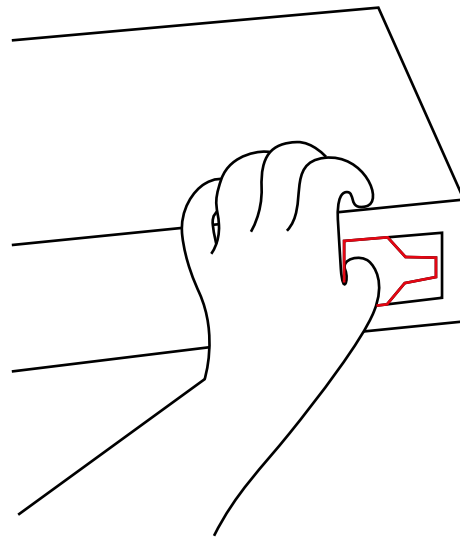
Cleaning every three days

9

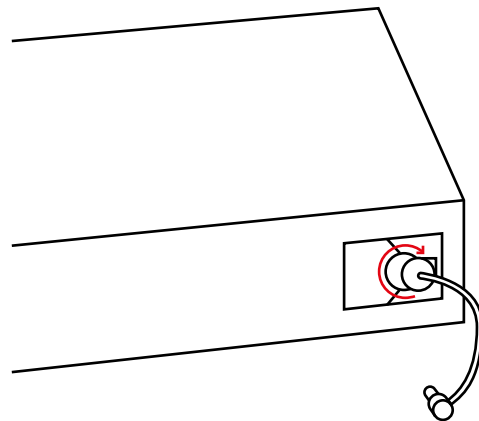


Placing container

1. Lay the juice container down and push out the perforated carton.



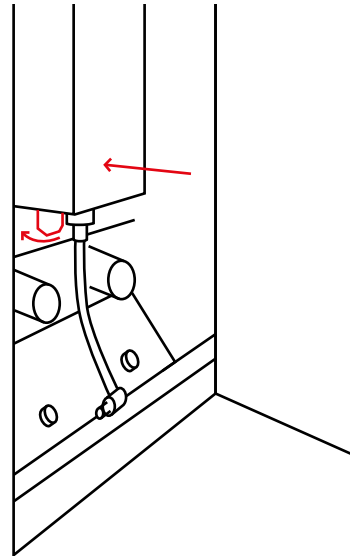
2. Thread the connector and the small tube through the hole.



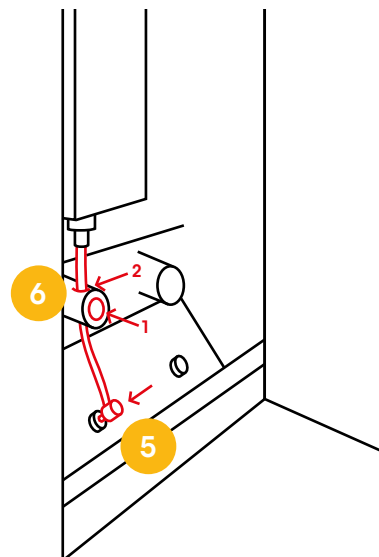
3. Turn the small tube in a clockwise direction in the connection until it is firmly in place. Note: check this once more to prevent leakage.

Placing container

4. Simply fold the cardboard tab under the container and place the juice pack in the machine with the tube facing forward.



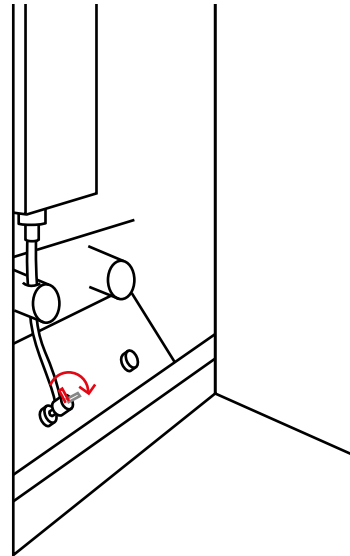
5. Push the tube right into the mixing valve. Make sure the rubber ring does not roll up.



6. Push the tube through the solenoid clamp.

Placing container

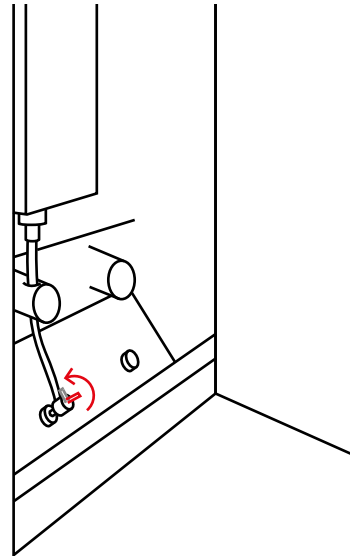
7. Open the container valve



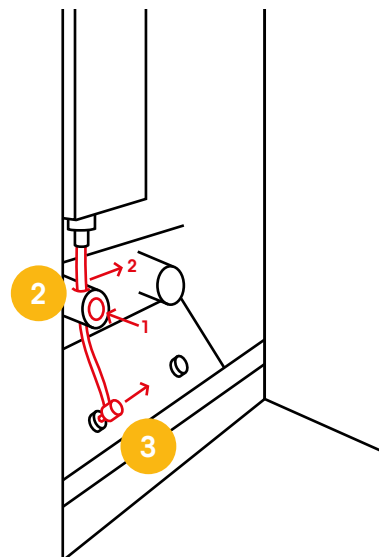
The machine is now ready for use. Simply close the door and confirm that the machine operates without leakage.

Removing container

1. Close the tap on the juice container.



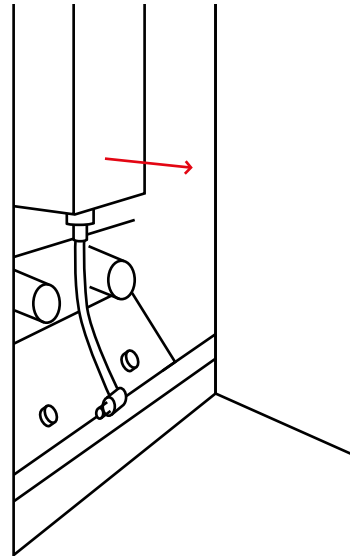
2. Remove the tube from the solenoid clamp.



3. Remove the tube from the mixing valve by pulling it straight out. Make sure the rubber ring is not left in place.

Removing container

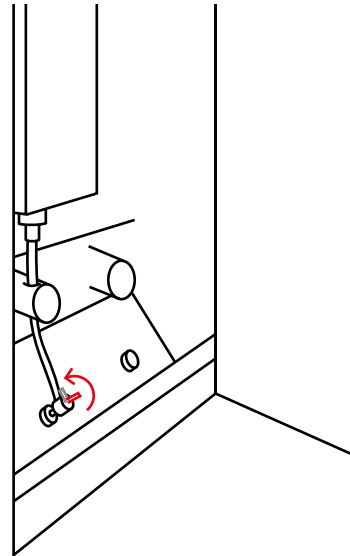
4. Remove the empty container from the dispenser.



Now separate the packaging by opening the box and discarding the plastic inside and the cardboard protective box separately.

Daily cleaning

1. Open the machine door and tighten the seal on the concentrate container.
2. Close the machine door and tap juice for a few seconds until clear water comes out.

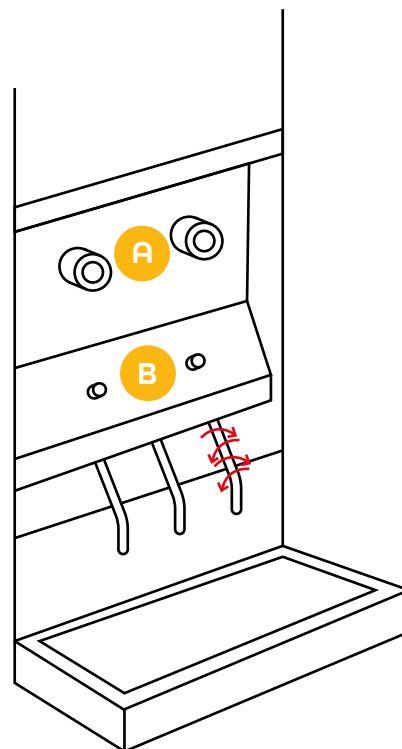


Cleaning every three days

1. Remove the packs from the dispenser. To do so, read the 'remove container' explanation.

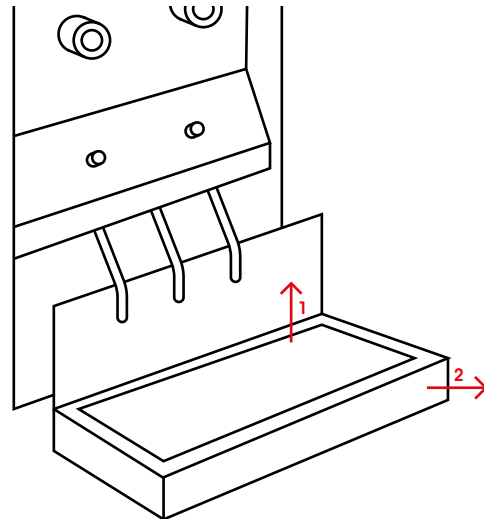
2. When present, remove the rubber cap from the solenoid terminal (A). Wipe the solenoid clamp (A) and the mixing valve (B) with a warm damp cloth.

3. Gently remove the nozzles with a twisting motion.



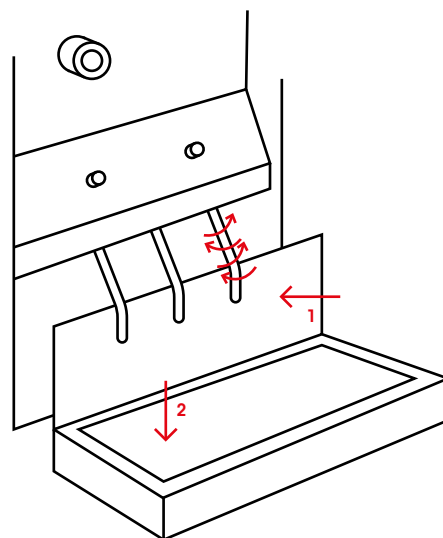
Cleaning every three days

4. Remove the drip tray.



5. Clean the nozzles and drip tray with hot water. Both of them can be washed in the dishwasher.

6. Gently replace the clean and dry nozzles with a circular motion and replace the drip tray.





Malfunction or other problems with your
juice dispenser? Call us: 088 - 1500 725.



more juice

Nieuwe Kazemelaan 2 D41
6711 JC Ede

www.morejuice.nl
info@morejuice.nl
088 000 1507